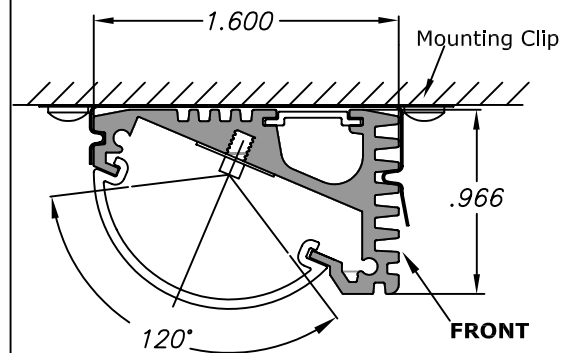
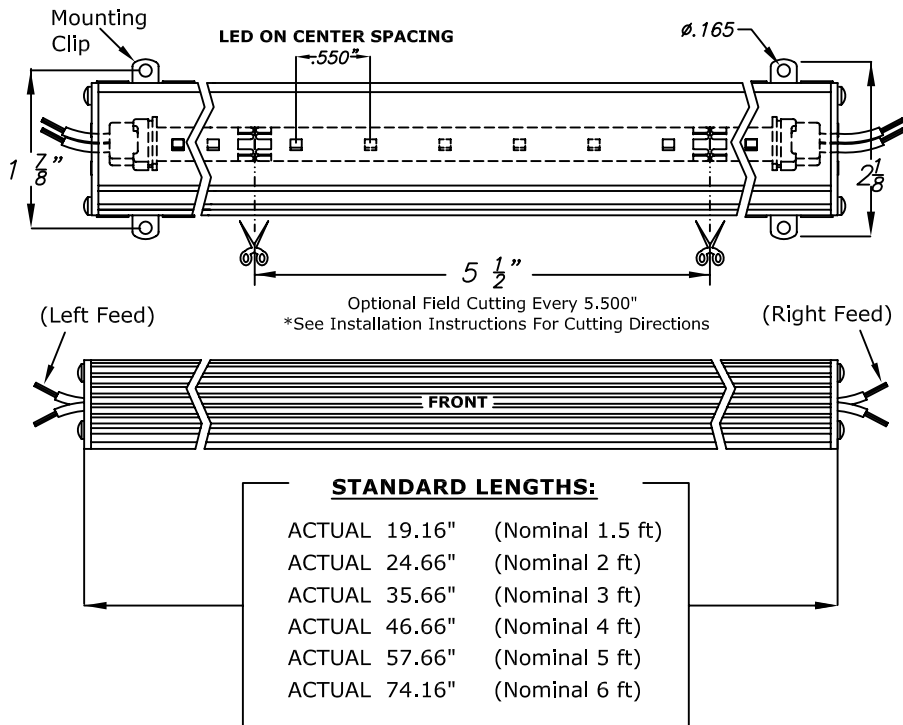


UNDER CABINET LED LUMINAIRE

White, Standard and High Output



LED Viewing Angle 120° White

SPECIFICATIONS:

BODY

MATERIAL: Non-Ferrous, Extruded Aluminum

FINISH: Anodized Satin Clear

DIFFUSER

MATERIAL: Acrylic

FINISH: Matte

MOUNTING:

Spring Clips Provided (Non-Ferrous available)

LED ON-CENTER SPACING:

.550"O.C., With 120° Full Angle Divergance
No Optics

VOLTAGE:

(Contact Sales)

Input Voltage Required 24vdc LED Specific

*Power Supplies Not Included

SPECIFICATION CODE :

Please select one option for each Column

| Product Code | Length (ft) | * Output | Kelvin or Color | Optics | Feed |
|--------------|-------------|---------------------------|--|--------------------|--|
| RAUC | 1.5 | SO (3 Watts/FT) | 27K (Warm White- 67 Lumens/Ft, 22 L/Watt) | X (None) | LF (Left Feed) RF (Right Feed) TF (Thru Feed) |
| | | | 35K (Neutral White- 85 Lumens/Ft, 28 L/Watt) | | |
| | | | 54K (Cool White- 73 Lumens/Ft, 24 L/Watt) | | |
| | 2 | HO (8 Watts/FT) | 27K (Warm White- 166 Lumens/Ft, 24 L/Watt) | | |
| | | | 35K (Neutral White- 272 Lumens/Ft, 34 L/Watt) | | |
| | | | 54K (Cool White- 152 Lumens/Ft, 19 L/Watt) | | |

* SO=MAXIMUM LENGTH OF A SINGLE FEED LUMINAIRE (6 FT)

* SO=MAXIMUM RUN OF INTERCONNECTED LUMINAIRES (13 FT)

* HO=MAXIMUM LENGTH OF A SINGLE FEED LUMINAIRE (5 FT)

* HO=MAXIMUM RUN OF INTERCONNECTED LUMINAIRES (5 FT)

Radiant Lighting Solutions reserves the right to change product specifications without notice for ongoing product improvements



a BELFERGROUP.com
10 RUCKLE AVENUE
FARMINGDALE, NJ 07727
TEL: 732-493-2666
FAX: 732-493-2941

EMAIL: Sales@Radiantlighting.com

COPYRIGHT © LIGHTING WORLD INC.
THIS DOCUMENT IS THE PROPERTY OF LIGHTING WORLD INC.

TITLE UNDER CABINET STANDARD WHITE LED LUMINAIRE SPECIFICATION'S

| | | | | | |
|--------------|---------|-------|------|----------|-------|
| DATE | 4/24/09 | SCALE | NONE | DRAWN | H.S. |
| APPROVED BY: | | SHEET | | DWG. NO. | RAUC_ |
| | | | | REV. | 6 |