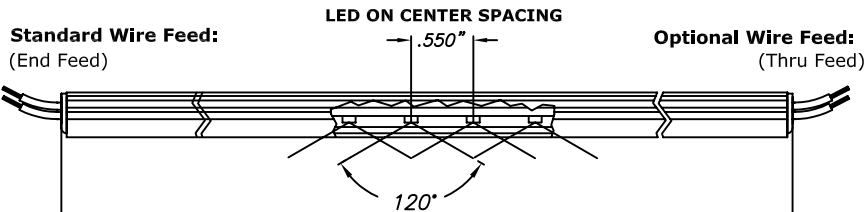
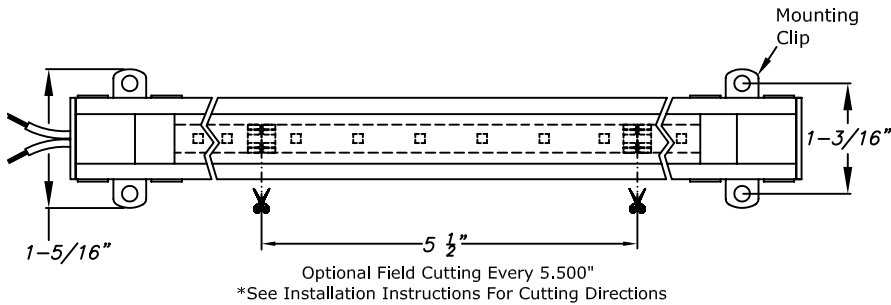


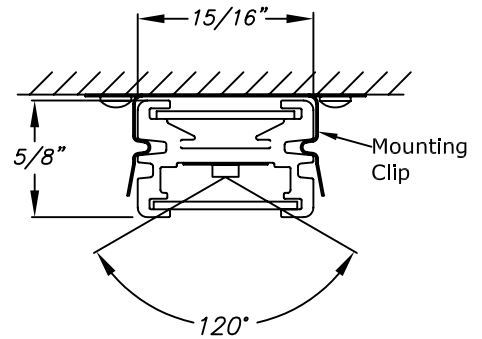
S6 LED LUMINAIRE

Colors, Low Power, 24 vdc



STANDARD LENGTHS:

ACTUAL 18.11"	(Nominal 18")
ACTUAL 23.60"	(Nominal 24")
ACTUAL 34.60"	(Nominal 36")
ACTUAL 45.60"	(Nominal 48")
ACTUAL 56.60"	(Nominal 60")



LED Viewing Angle 120° White

SPECIFICATIONS:

BODY

MATERIAL: Non-Ferrous, Extruded Aluminum
FINISH: Anodized Satin Clear

DIFFUSER

MATERIAL: Acrylic
FINISH: Matte

MOUNTING:

Spring Clips Provided (Non-Ferrous available)

LED ON-CENTER SPACING:

.550", With 120° Full Angle Divergence For Colors, Without Optics

VOLTAGE:

Input Voltage Required 24 vdc LED Specific Power Supplies Not Included. (Contact Customer Service)

SPECIFICATION CODE :

Please select one option for each Column

Product Code	Length (in)	* Output	Kelvin or Color	Optics	Feed
RAS6	18	LP (2.6 Watts/FT)	AR (Amber/Red- 617 Nm @ 59 Lumens/Ft)	Z (None)	EF (End Feed) TF (Thru Feed)
	24		YE (Yellow- 587 Nm @ 47 Lumens/Ft)		
	36		GR (Green- 523 Nm @ 44 Lumens/Ft)		
	48		BL (Blue- 469 Nm @ 6 Lumens/Ft)		
	60				

- * LP=MAXIMUM LENGTH OF A SINGLE FEED LUMINAIRE (6 FT)
- * LP=(Special Order) MAXIMUM LENGTH OF A SINGLE FEED LUMINAIRE (13 FT)
- * LP=MAXIMUM RUN OF INTERCONNECTED LUMINAIRES (13 FT)

Radiant Lighting Solutions reserves the right to change product specifications without notice for ongoing product improvements

RADIANT a **BELFERGROUP.com**
10 RUCKLE AVENUE
FARMINGDALE, NJ 07727
TEL: 732-493-2666
FAX: 732-493-2941

EMAIL: Sales@Radiantlighting.com
COPYRIGHT © LIGHTING WORLD INC.
THIS DOCUMENT IS THE PROPERTY OF LIGHTING WORLD INC.

TITLE S6 LED COLORS LUMINAIRE SPECIFICATIONS			
DATE 12/22/08	SCALE NONE	DRAWN H.S.	
APPROVED BY:	SHEET	DWG. NO. RAS6__	REV. 1