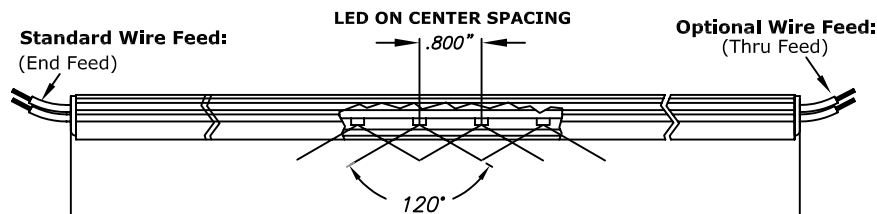
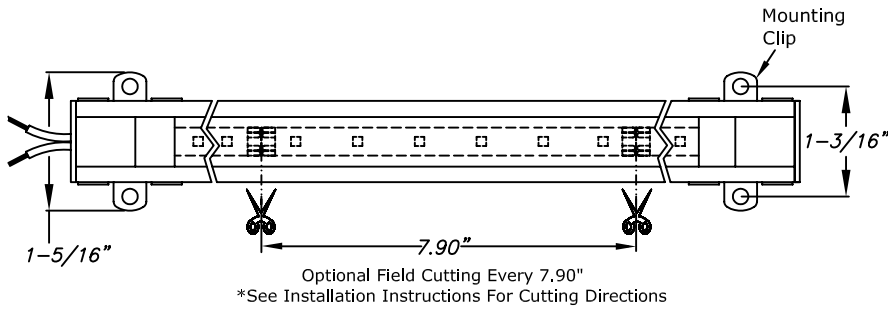


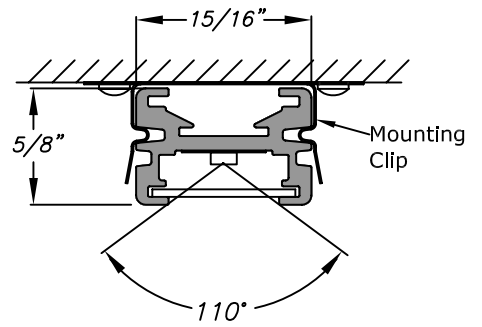
S6 LED LUMINAIRE

RGB, 24 vdc



STANDARD LENGTHS:

ACTUAL	17.40"	(Nominal 1.5 ft)
ACTUAL	25.30"	(Nominal 2 ft)
ACTUAL	33.20"	(Nominal 3 ft)
ACTUAL	49.00"	(Nominal 4 ft)
ACTUAL	56.90"	(Nominal 5 ft)
ACTUAL	72.70"	(Nominal 6 ft)



SPECIFICATIONS:

BODY

MATERIAL: Non-Ferrous, Extruded Aluminum
FINISH: Anodized Satin Clear

DIFFUSER

MATERIAL: Acrylic
FINISH: Matte

MOUNTING:

Spring Clips Provided (Non-Ferrous available)

LED ON-CENTER SPACING:

.800" O.C., With 120° x 110° Angle Divergence
Without Optics

VOLTAGE:

(Contact Sales)
Input Voltage Required 24 vdc LED Specific
*Power Supplies Not Included

CONTROLS:

(Contact Sales)
Compatible with (3) channel Color Dimmer
and DMX Interface with Slave

SPECIFICATION CODE :

Please select one option for each Column

Product Code	Length (ft)	* Output	Kelvin or Color	Optics	Feed
RAS6	1.5	V3	RGB	X	EF (End Feed)
	2	Red= (0.9 Watt/FT)	(Red- 625 Nm @ 29 Lumens/Ft, 32 L/Watt)	(None)	TF (Thru Feed)
	3	Green=(1.9 Watts/FT)	(Green- 525 Nm @ 58.8 Lumens/Ft, 31 L/Watt)		
	4	Blue= (1.1 Watts/FT)	(Blue- 467 Nm @ 9.9 Lumens/Ft, 9 L/Watt)		
	5	All Colors=(3.9 Watts/FT)			
	6				

* V3=MAXIMUM LENGTH OF A SINGLE FEED LUMINAIRE (6 FT)

* V3=MAXIMUM RUN OF INTERCONNECTED LUMINAIRES (12 FT)

Radiant Lighting Solutions reserves the right to change product specifications without notice for ongoing product improvements



a BELFERGROUP.com
10 RUCKLE AVENUE
FARMINGDALE, NJ 07727
TEL: 732-493-2666
FAX: 732-493-2941

EMAIL: Sales@Radiantlighting.com

COPYRIGHT © LIGHTING WORLD INC.
THIS DOCUMENT IS THE PROPERTY OF LIGHTING WORLD INC.

TITLE

S6 LED RGB LUMINAIRE SPECIFICATION'S

DATE 03/20/09

SCALE NONE

DRAWN H.S.

APPROVED BY:

SHEET

DWG. NO.

REV.

RAS6__

5