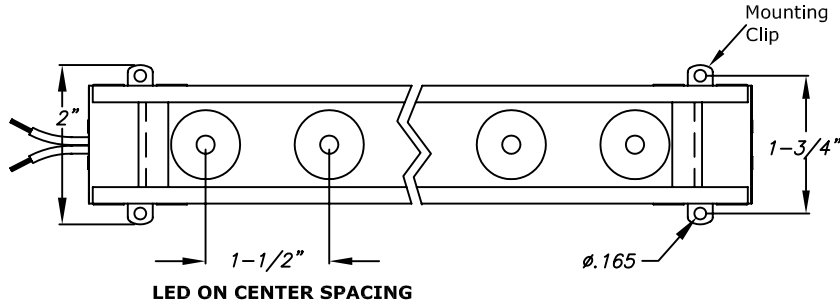
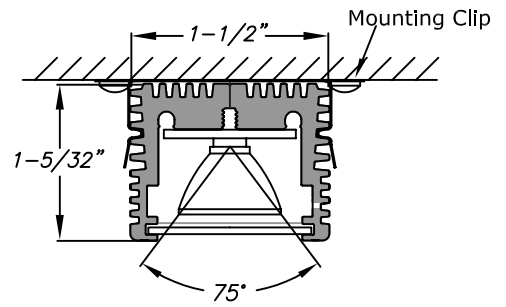
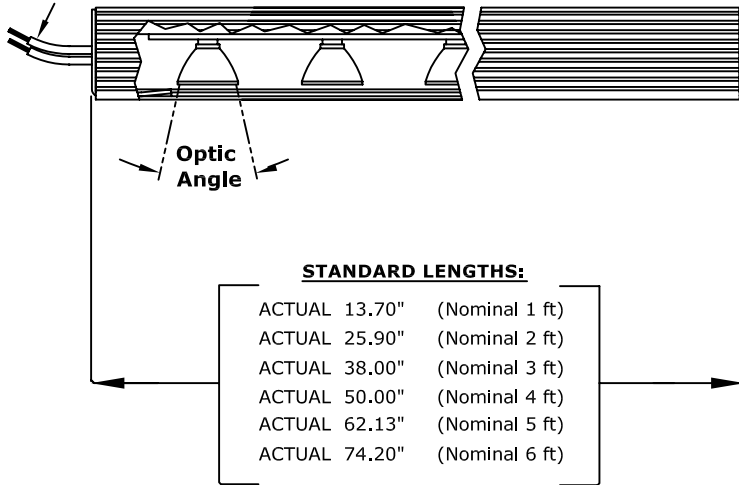


S4 LED LUMINAIRE

White, High Output



Standard Wire Feed:
(End Feed)



LED Viewing Angle 75° White
Not Including Secondary Optics

SPECIFICATIONS:

BODY

MATERIAL: Non-Ferrous, Extruded Aluminum
FINISH: Anodized Satin Clear

DIFFUSER

MATERIAL: Acrylic
FINISH: Matte

MOUNTING:

Spring Clips Provided (Non-Ferrous available)

LED ON-CENTER SPACING:

1 1/2" O.C., With 120° x 75° Angle Divergence For White, Without Optics

WATTAGE:

9 Watts Per Foot

VOLTAGE:

(Contact Sales)
Input Voltage Required 24vdc LED Specific
*Power Supplies Not Included

CONTROLS:

(Contact Sales)
Compatible with Dimmer

SPECIFICATION CODE :

Please select one option for each Column

Product Code	Length (ft)	Kelvin or Color	Optics (Full Angle Divergence)	Feed
RAS4	1	30K (Warm White- 540 Lumens/Ft, 60 L/Watt)	M (Medium @ 20°)	EF (End Feed)
	2	50K (Cool White- 620 Lumens/Ft, 69 L/Watt)	E (Elliptical 22° x 41°)	
	3		X (None)	
	4			
	5			
	6			

MAXIMUM RUN OF SINGLE FEED LUMINAIRE (6 FT)

Radiant Lighting Solutions reserves the right to change product specifications without notice for ongoing product improvements



a BELFERGROUP.com
10 RUCKLE AVENUE
FARMINGDALE, NJ 07727
TEL: 732-493-2666
FAX: 732-493-2941

EMAIL: Sales@Radiantlighting.com

COPYRIGHT © LIGHTING WORLD INC.
THIS DOCUMENT IS THE PROPERTY OF LIGHTING WORLD INC.

TITLE

S4 LED LUMINAIRE SPECIFICATION'S

DATE

3/20/09

SCALE

NONE

DRAWN

H.S.

APPROVED BY:

SHEET

DWG. NO.

RAS4__

REV.

6