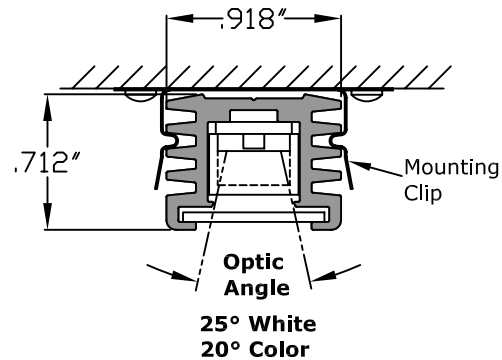
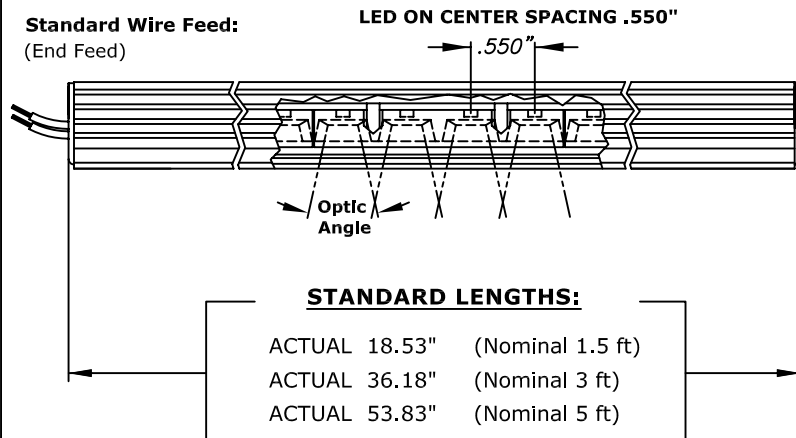
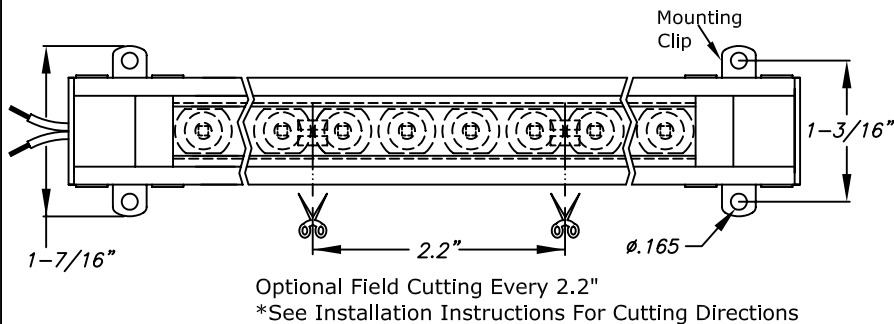


S2 LED LUMINAIRE

White and Colors, Standard OutPut, 10.5vdc



SPECIFICATIONS:

BODY

MATERIAL: Non-Ferrous, Extruded Aluminum

FINISH: Anodized Satin Clear

DIFFUSER

MATERIAL: Acrylic

FINISH: Matte

MOUNTING:

Spring Clips Provided (Non-Ferrous available)

LED ON-CENTER SPACING:

.550" O.C., With 120° x 70° Angle Divergence For White and Colors without Optics

OPTICS:

Collimating optics at Full Angle increase Light intensity to target.

25° for White and 20° for Colors

VOLTAGE:

(Contact Sales)

Input Voltage Required 10.5vdc LED Specific

*Power Supplies Not Included

CONTROLS:

(Contact Sales)

Compatible with Dimmer

SPECIFICATION CODE :

Please select one option for each Column

Product Code	Length (ft)	* Output	Kelvin or Color	Optics	Feed
RAS2	1.5 3 5	SO (2.8 Watts/FT)	27K (Warm White- 46 Lumens/Ft, 17 L/Watt)	M (Medium 25°)	EF (End Feed)
			35K (Neutral White- 60 Lumens/Ft, 21 L/Watt)		
		SO (2.8 Watts/FT)	S/R (Super Red--633 Nm @ 36 Lumens/Ft, 13 L/Watt)	M (Medium 20°)	
			A/R (Amber/Red-617 Nm @ 57 Lumens/Ft, 20 L/Watt)		
			OR (Orange-----606 Nm @ 65 Lumens/Ft, 23 L/Watt)		
			YE (Yellow-----587 Nm @ 46 Lumens/Ft, 16 L/Watt)		
			GR (True Green--525 Nm @ 38 Lumens/Ft, 14 L/Watt)		
			BL (Blue-----469 Nm @ 7 Lumens/Ft, 3 L/Watt)		

* SO=MAXIMUM RUN OF SINGLE FEED LUMINAIRE (4.5 FT)

Radiant Lighting Solutions reserves the right to change product specifications without notice for ongoing product improvements



a BELFERGROUP.com
10 RUCKLE AVENUE
FARMINGDALE, NJ 07727
TEL: 732-493-2666
FAX: 732-493-2941

EMAIL: Sales@Radiantlighting.com

COPYRIGHT © LIGHTING WORLD INC.
THIS DOCUMENT IS THE PROPERTY OF LIGHTING WORLD INC.

TITLE

S2 LED LUMINAIRE SPECIFICATION'S

DATE	4/24/09	SCALE	NONE	DRAWN	H.S.
APPROVED BY:		SHEET		DWG. NO.	RAS2__
				REV.	5