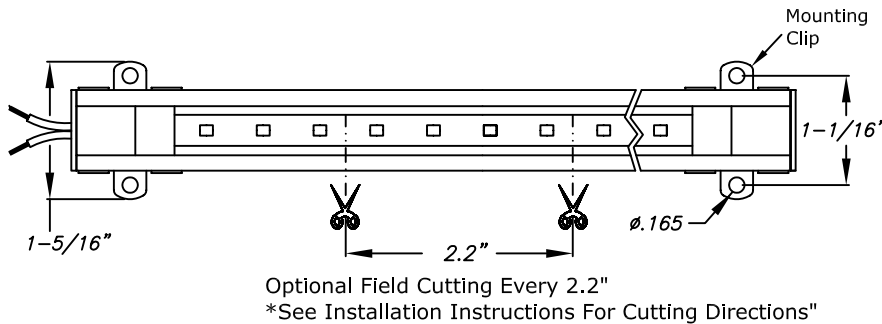


# S1 LED LUMINAIRE

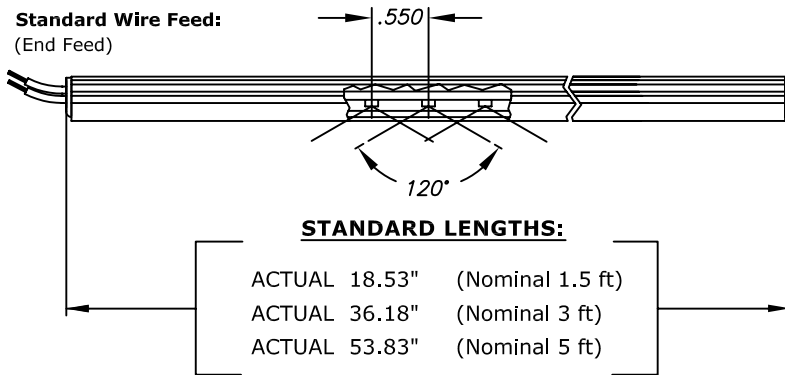
White and Colors, Standard OutPut, 10.5vdc



Optional Field Cutting Every 2.2"  
\*See Installation Instructions For Cutting Directions"

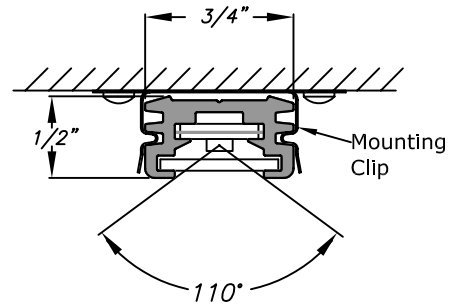
LED ON CENTER SPACING .550"

Standard Wire Feed:  
(End Feed)



**STANDARD LENGTHS:**

- ACTUAL 18.53" (Nominal 1.5 ft)
- ACTUAL 36.18" (Nominal 3 ft)
- ACTUAL 53.83" (Nominal 5 ft)



LED Viewing Angle 110° White

**SPECIFICATIONS:**

**BODY**

**MATERIAL:** Non-Ferrous, Extruded Aluminum  
**FINISH:** Anodized Satin Clear

**DIFFUSER**

**MATERIAL:** Acrylic  
**FINISH:** Matte

**MOUNTING:**

Spring Clips Provided (Non-Ferrous available)

**LED ON-CENTER SPACING:**

.550" O.C., With 120°x 110° Angle Divergence For White Without Optics

**VOLTAGE:**

(Contact Sales)  
Input Voltage Required 10.5vdc LED Specific  
\*Power Supplies Not Included

**CONTROLS:**

(Contact Sales)  
Compatible with Dimmer

**SPECIFICATION CODE :**

Please select one option for each Column

Product Code	Length (ft)	* Output	Kelvin or Color	Optics	Feed
RAS1	1.5 3 5	SO (2.8 Watts/FT)	27K (Warm White- 46 Lumens/Ft, 17 L/Watt ) 35K (Neutral White- 60 Lumens/Ft, 21 L/Watt ) 54K (Cool White- 61 Lumens/Ft, 22 L/Watt )	X (None)	EF (End Feed)
		SO (2.8 Watts/FT)	S/R (Super Red---633 Nm @ 36 Lumens/Ft, 13 L/Watt) A/R (Amber/Red- 617 Nm @ 57 Lumens/Ft, 20 L/Watt) OR (Orange-----606 Nm @ 65 Lumens/Ft, 23 L/Watt) YE (Yellow-----587 Nm @ 46 Lumens/Ft, 16 L/Watt) GR (True Green--525 Nm @ 38 Lumens/Ft, 14 L/Watt) BL (Blue-----469 Nm @ 7 Lumens/Ft, 3 L/Watt)		

\* SO=MAXIMUM RUN OF SINGLE FEED LUMINAIRE ( 4.5 FT)

Radiant Lighting Solutions reserves the right to change product specifications without notice for ongoing product improvements

**RADIANT** a BELFERGROUP.com  
10 RUCKLE AVENUE  
FARMINGDALE, NJ 07727  
TEL: 732-493-2666  
FAX: 732-493-2941  
EMAIL: Sales@Radiantlighting.com  
COPYRIGHT © LIGHTING WORLD INC.  
THIS DOCUMENT IS THE PROPERTY OF LIGHTING WORLD INC.

TITLE  
S1 LED LUMINAIRE SPECIFICATION'S

DATE 4/24/09	SCALE NONE	DRAWN H.S.	
APPROVED BY:	SHEET	DWG. NO. RAS1__	REV. 6