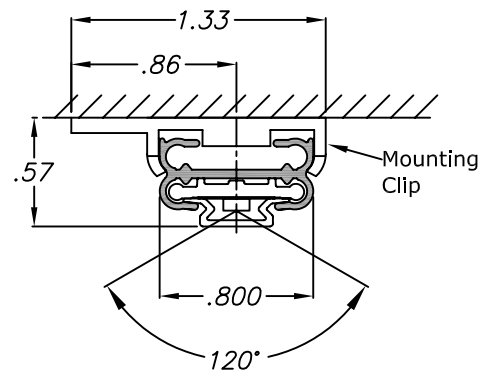
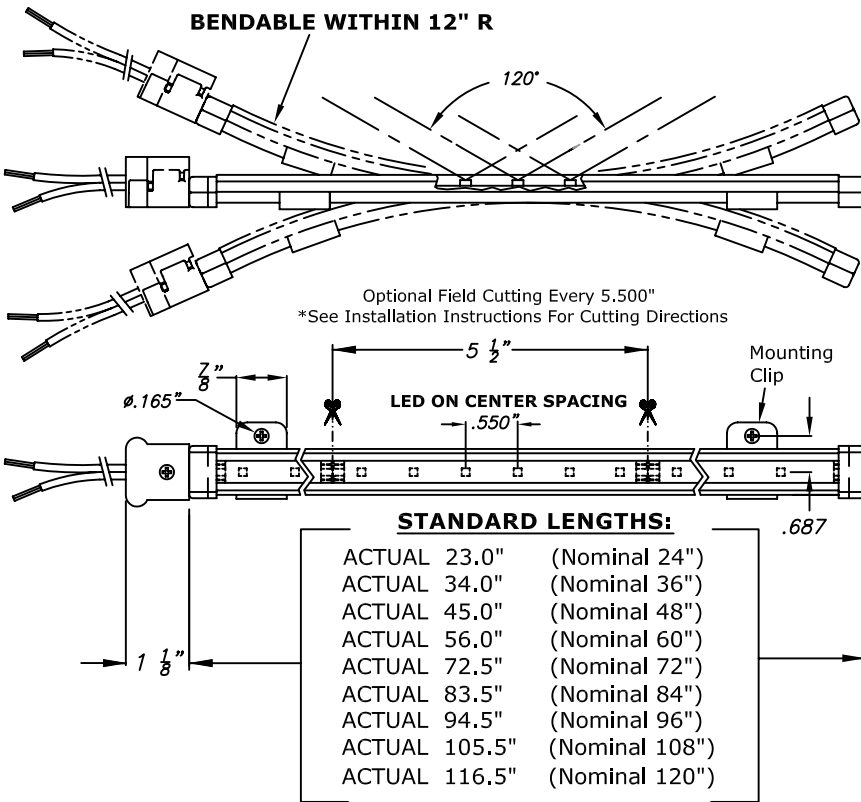


RAD LED LV225 LUMINAIRE

White, Standard and High Output



LED Viewing Angle 120°

SPECIFICATIONS:

BODY:

MATERIAL: Non-Ferrous, Extruded Plastic
FINISH: White Gloss

DIFFUSER:

MATERIAL: Polycarbonate
FINISH: Clear

MOUNTING:

Plastic Clips Provided

LED ON-CENTER SPACING:

.550", With 120° Full Angle Divergence
 No Optics

VOLTAGE:

(Contact Sales)
 Input Voltage Required 24vdc LED Specific
 *Power Supplies Not Included

CONTROLS:

(Contact Sales)
 Compatible with Dimmer

SPECIFICATION CODE :

Please select one option for each Column

Product Code	Length (in)	* Output	Kelvin or Color	Optics	Feed
RALV	24	SO (3 Watts/FT)	27K (Warm White- 67 Lumens/Ft, 22 L/Watt)	X (None)	EFW (Wire End Feed) EFC (Conduit End Feed)
	36		35K (Neutral White- 85 Lumens/Ft, 28 L/Watt)		
	48		54K (Cool White- 73 Lumens/Ft, 24 L/Watt)		
	60				
	72				
	84				
	96				
	108				
	120				
		24	HO (8 Watts/FT)		
	36	35K (Neutral White- 272 Lumens/Ft, 34 L/Watt)			
	48	54K (Cool White- 152 Lumens/Ft, 19 L/Watt)			
	60				

* SO=MAXIMUM LENGTH OF A SINGLE FEED LUMINAIRE (10 FT)
 * HO=MAXIMUM LENGTH OF A SINGLE FEED LUMINAIRE (5 FT)

Radiant Lighting Solutions reserves the right to change product specifications without notice for ongoing product improvements



a BELFERGROUP.com
 10 RUCKLE AVENUE
 FARMINGDALE, NJ 07727
 TEL: 732-493-2666
 FAX: 732-493-2941

EMAIL: Sales@Radiantlighting.com
 COPYRIGHT © LIGHTING WORLD INC.
 THIS DOCUMENT IS THE PROPERTY OF LIGHTING WORLD INC.

TITLE RAD LED LV225 STANDARD WHITE LUMINAIRE SPECIFICATIONS

DATE	3/11/09	SCALE	NONE	DRAWN	H.S.
APPROVED BY:		SHEET	1 OF 1	DWG. NO.	RALV__
				REV.	6