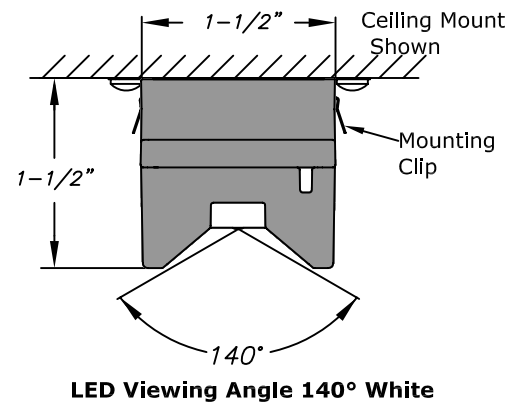
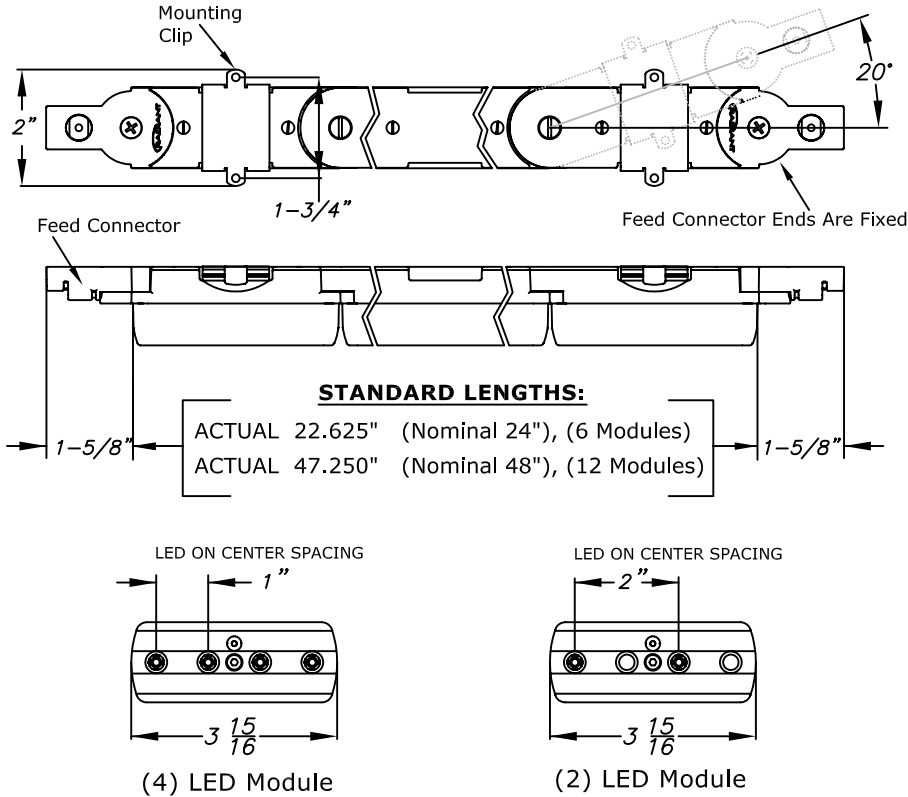


# POWER COVE LED FLEXIBLE LUMINAIRE



## SPECIFICATIONS:

### BODY

**MATERIAL:** Non-Ferrous Aluminum  
**FINISH:** Anodized Black Matte

### LED MODULES:

**MATERIAL:** Non-Ferrous Aluminum  
**FINISH:** Anodized Black Matte

### MOUNTING:

Spring Clips Provided (Non-Ferrous available)

### LED ON-CENTER SPACING:

1" for 4 LED Module, 2" for 2 LED Module  
 With 140° Full Angle Divergence For White,  
 Without Optics

### VOLTAGE:

Input Voltage Required 24 vdc LED Specific  
 Power Supplies Not Included  
 (Contact Customer Service)

### FLEXIBILITY:

Minimum Bend Radius= 12"  
 Module Angular Offset= 20°

## SPECIFICATION CODE :

Please select one option for each Column

Product Code	Length (in)	* Output	Kelvin or Color	Optics (Full Angle Divergence)	*Feed Refer to (Sht 2 OF 2)
RAPCF	24	2L (9 Watts/FT)	WW (Warm White- 30K 157 Lumens/Ft)	W (Wide @ 38°) E (Elliptical @ 13°x 49°) Z (None)	EFC (Conduit End Feed) EFW (Wire End Feed) INL (In Line Connector)
	48		CW (Cool White- 45K 172 Lumens/Ft)		
		4L (15 Watts/FT)	WW (Warm White- 30K 315 Lumens/Ft) CW (Cool White- 45K 345 Lumens/Ft)		

\* USING (2L) MODULES, WITH 75W POWER SUPPLY, MAXIMUM RUN OF INTERCONNECTED LUMINAIRES ( 8 FT)

\* USING (4L) MODULES, WITH 75W POWER SUPPLY, MAXIMUM ( 4.5 FT)

\* USING (2L) MODULES, WITH 150W POWER SUPPLY, MAXIMUM RUN OF INTERCONNECTED LUMINAIRES ( 16 FT)

\* USING (4L) MODULES, WITH 150W POWER SUPPLY, MAXIMUM RUN OF INTERCONNECTED LUMINAIRES ( 9 FT)

Radiant Lighting Solutions reserves the right to change product specifications without notice for ongoing product improvements

**RADIANT** a BELFERGROUP.com  
 10 RUCKLE AVENUE  
 FARMINGDALE, NJ 07727  
 TEL: 732-493-2666  
 FAX: 732-493-2941  
 EMAIL: Sales@Radiantlighting.com  
 COPYRIGHT © LIGHTING WORLD INC.  
 THIS DOCUMENT IS THE PROPERTY OF LIGHTING WORLD INC.

TITLE POWER COVE LED FLEXIBLE LUMINAIRE SPECIFICATION'S

DATE	5/19/09	SCALE	NONE	DRAWN	H.S.
APPROVED BY:		SHEET	1 OF 2	DWG. NO.	RAPC__
				REV.	5