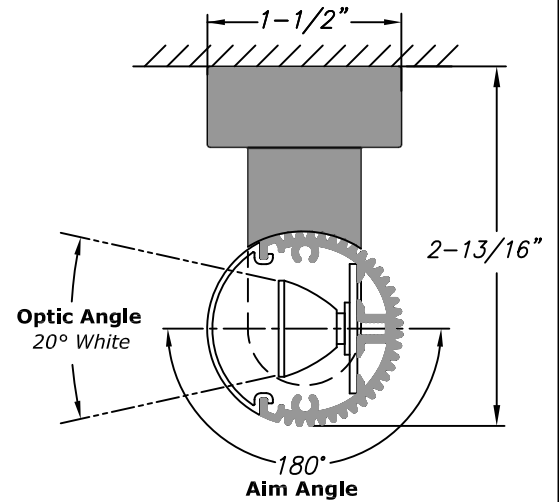
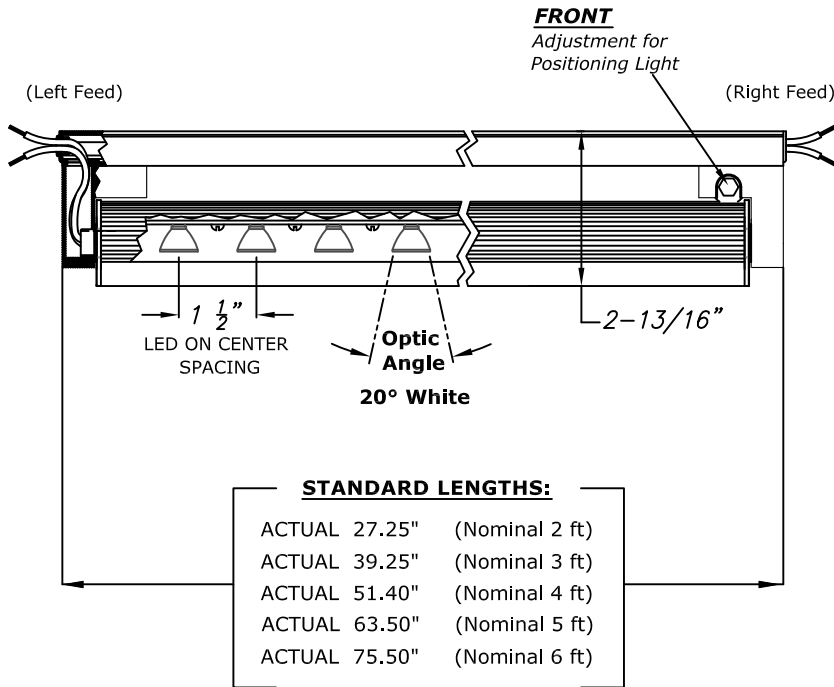


COOL TUBE LED LOW PROFILE LUMINAIRE

White, High Output



SPECIFICATIONS:

BODY

MATERIAL: Non-Ferrous, Extruded Aluminum
FINISH: Anodized Satin Clear

DIFFUSER

MATERIAL: Acrylic
FINISH: Matte

MOUNTING:

Not Included, Housing Easily Modified by Customer

LED ON-CENTER SPACING:

1 1/2" O.C., With 120° x 85° Angle Divergence for White Without Optics

WATTAGE:

9 Watts Per Foot

VOLTAGE:

(Contact Sales)
 Input Voltage Required 24vdc LED Specific
 *Power Supplies Not Included

CONTROLS:

(Contact Sales)
 Compatible with Dimmer

SPECIFICATION CODE :

Please select one option for each Column

Product Code	Length (ft)	Kelvin or Color	Optics (Full Angle Divergence)	Feed
RACT	2	30K (Warm White- 540 Lumens/Ft, 60 L/Watt)	M (Medium @ 20°)	LF (Left Feed)
	3	50K (Cool White- 620 Lumens/Ft, 69 L/Watt)	E (Elliptical 22° x 41°)	RF (Right Feed)
	4		X (None)	
	5			
	6			

MAXIMUM LENGTH OF SINGLE FEED LUMINAIRE (6 FT)

Radiant Lighting Solutions reserves the right to change product specifications without notice for ongoing product improvements



a BELFERGROUP.com
 10 RUCKLE AVENUE
 FARMINGDALE, NJ 07727
 TEL: 732-493-2666
 FAX: 732-493-2941

EMAIL: Sales@Radiantlighting.com
 COPYRIGHT © LIGHTING WORLD INC.
 THIS DOCUMENT IS THE PROPERTY OF LIGHTING WORLD INC.

TITLE COOL TUBE STANDARD WHITE LED LUMINAIRE SPECIFICATION'S			
DATE 4/2909	SCALE NONE	DRAWN H.S.	
APPROVED BY:	SHEET	DWG. NO. RACT_	REV. 6